

230<sub>VAC</sub>24<sub>VDC</sub>

# BOB21M

# BOB2124E



## LINEAR WORM SCREWS

patented FACE gears

up to 2.1 m



## CONTROL UNITS:

**BOB21M** — BRAINY  
HEADY

**BOB2124E** — BRAINY24+  
BRAINY24  
HEADY24

# BENINCA

**100%**  
Made in Italy



Reliable, quiet, and quick to install geared motor, thanks to its 2 adjustable mechanical stops for opening and closing. Available in the 230 Vac and 24 Vdc versions. Rolled ball screws Ø 20 mm. Easy access release from above.

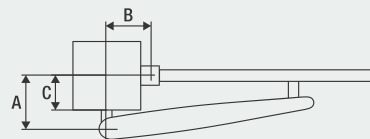
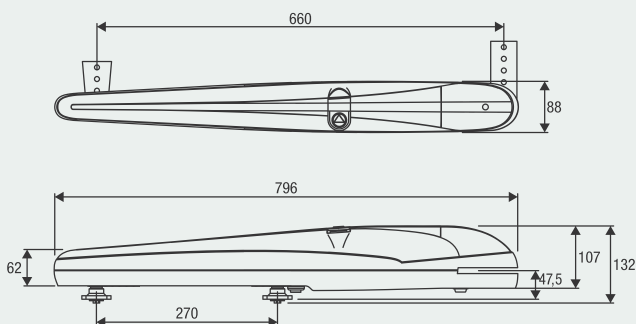
## 230 Vac

- Irreversible 230 Vac electromechanical geared motor

## 24 Vdc | intensive use

- Irreversible 24 Vdc electromechanical geared motor for intensive use, equipped with encoder
- The encoder device ensures maximum safety and precision in the gate moving phases
- Amperometric sensor obstacle detection system to prevent crushing
- Optional battery powered operation

www.beninca.com



A (mm)	B (mm)	C (mm)
105-135	115-135	50-80

**BENINCA**

### COMPLETE KITS



MOTORS



CONTROL UNIT



PHOTOCELLS



FLASHING LIGHT



SELECTOR



TRANSMITTER

**KBOB21M**

2x **BOB21M**

1x **HEADY**

1x **PUPILLA.R**

1x **LAMPI.LED**

1x **TOKEY**

1x **TO.GO2VA**

**KBOB2124E**

2x **BOB2124E**

1x **HEADY24**

1x **PUPILLA.R**

1x **LAMPI24.LED**

1x **TOKEY**

1x **TO.GO2VA**

**BOB.CS**

Lock with personalized key and cover for unlock system.

**B.SR**

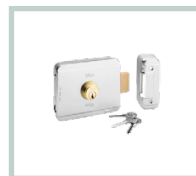
Multiposition brackets for one operator.

**B.P**

Screw-on plate.

**DU.V96**

12 Vac/dc vertical electric lock, supplied with counterplate. Permits internal/external release.

**DU.V90**

12 Vac/dc horizontal electric lock, supplied with counterplate. Permits internal/external release.

**DU.9990**

Covering plate for DU.V90.

**E.LOCK**

230 Vac vertical electric lock, supplied with counterplate.

**E.LOCKSE**

Extended cylinder for E.LOCK electric lock. It allows unlocking gates up to 55mm-thick from the outside.

**CABLE.24E**

Cable reel with 5 conductors (2 for motor, 3 for encoder) for connecting the encoder device in the 24 Vdc versions. L= 100 m.

**ID.TA**

Warning board.

**IRI.TX4VA**

4-channel transmitter with Advanced Rolling Code and Rolling Code.

**IRI.TX4AK**

4-channel transmitter with Advanced Rolling Code and Fixed Code.

**IRI.LAMP**

White full range flashing light, 20-255 VAC with built-in aerial.

**IRI.KPAD**

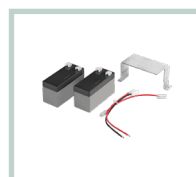
Battery operated wireless vandal-proof digital keypad with alert buzzer and backlit buttons. Triple coding: Rolling Code, Programmable Code and Advanced Rolling Code. 254 memorisable codes.

**IRI.CELL**

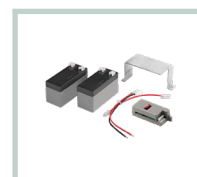
Pair of vandal-proof metal covers for PUPILLA/PUPILLA.R photocells, comprising front and rear shells with concealed screw. They can maintain perfect orientation over 180°.

**PUPILLA**

Pair of photocells adjustable to 180°. Option to synchronise up to 4 pairs, 24 VAC/DC power supply. Easy adjustment through a LED that signals optimal alignment. Compact size: 36x110x35 mm

**BRAINY24.CB-SW**

Accessory equipped with 1.2 Ah batteries and support bracket.

**BRAINY24.CB**

Accessory with CBY.24V battery charger, 1.2 Ah batteries and support bracket.

**AUTOMATISMI BENINCÀ SpA** • Via del Capitello, 45 • 36066 Sandrigo (VI) ITALY • T +39 0444 751030 • sales@beninca.com

TECHNICAL DATA	BOB21M*	BOB2124E*
Power supply	230 Vac (50-60Hz)	230 Vac (50-60Hz)
Motor supply	230 Vac	24 Vdc
Max absorbed current	1.5 A	5.5 A
Max Thrust	1800 N	1800 N
Opening time	18"	9" - 21"
Duty cycle	30%	intensive use
Standard stroke	270 mm	270 mm
Max stroke	325 mm	325 mm
Protection level	IP44	IP44
Encoder	NO	YES
Operating temperature	-20°C /+50°C	-20°C /+50°C
Leaf max dimension	2.1 m	2.1 m
Weight	8.2 kg	7.9 kg
Items no. per pallet	50	50
Kit weight	19.1 kg	19.7 kg
Kits no. per pallet	18	18

\* Available in 115 VAC version